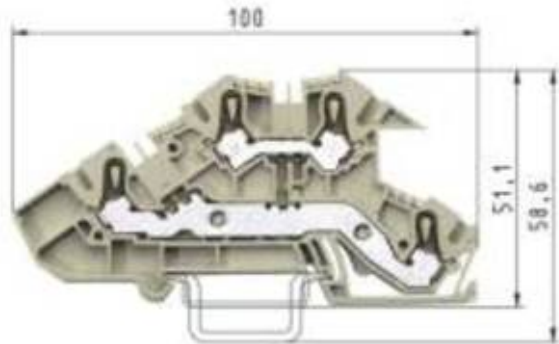


Datasheet

Item No. 56.203.8953.0

Installation terminal WKIS 2,5 N-D

Installation terminal block with direct spring connection for mounting on TS 35, nominal cross section 2.5 mm², width 5 mm, color gray



| | |
|------------|---------------|
| Item No. | 56.203.8953.0 |
| EAN | 4015573852167 |
| order unit | 50 Piece(s) |

Approvals



Technical data

General

| | |
|--|-----------------------------------|
| ArticlePrice | udp_no_price |
| Nominal cross section | 2.5 mm ² |
| Basic colour | Grey |
| Number of levels | 2 |
| Number of clamp positions per level | 2 |
| Width/grid dimension | 5 mm |
| Insulating housing | PA666 |
| Inflammability class of insulation material acc. with UL94 | V0 |
| Mounting method | DIN rail (top hat rail) 35/7.5 mm |
| Terminal blocks for electrical installations | Yes |

Technical data

| | |
|-----------------------------|---------------|
| Rated current | 24 A |
| Rated voltage | 400 V |
| Rated impulse voltage | 6 kV |
| Pollution degree | 3 |
| Closing plate required | Yes |
| Length | 100 mm |
| Type of insulation material | Thermoplastic |

Connection Data

| | |
|-----------------------------|----------------------|
| Connection type 1 | Plug-in connection |
| Connection type 2 | Plug-in connection |
| Minimum cross section solid | 0.14 mm ² |

| | |
|-------------------------------------|----------------------|
| Maximum cross section solid | 4 mm ² |
| Minimum cross section fine stranded | 0.14 mm ² |
| Maximum cross section fine stranded | 4 mm ² |
| Wire strip length | 11 mm |

Accessories

| | |
|-------------------------|-------------------------|
| Remark to rated current | 30A at 4mm ² |
| N-function | Yes |

Accessories

| Item. No. | Typ: | Description: |
|---------------|---------------------------------------|--|
| 98.300.0000.0 | Mounting rail 35x27x7,5EN60715 2000MM | Mounting rail TS 35, unslotted, size 7,5 mm, length 2 m, material steel. galv. zinc-plated and dichromated |
| 98.300.1000.0 | Mounting rail 35x27x7,5EN60715 2000MM | Mounting rail TS 35, slotted, size 7,5 mm, length 2 m, material steel. galv. zinc-plated and dichromated |
| 98.300.1900.0 | Mounting rail 35x27x7,5EN60715 2000MM | Mounting rail TS 35, slotted, size 7,5 mm, length 2 m, material steel. galv. zinc-plated and dichromated |
| 98.360.0000.0 | Mounting rail 35x24x15 EN60715 2000MM | Mounting rail TS 35, unslotted, size 15 mm, length 2 m, material steel. galv. zinc-plated and dichromated |
| 98.360.0004.0 | Mounting rail 35x24x15 EN60715 2000MM | Mounting rail TS 35, unslotted, size 15 mm, length 2 m, material steel, hot galvanized |
| 98.370.0000.0 | Mounting rail 35x27x15(EN60715)2000MM | Mounting rail TS 35, unslotted, size 15 mm, length 2 m, material steel. galv. zinc-plated and dichromated |
| 98.370.1000.0 | Mounting rail 35x27x15(EN60715)2000MM | Mounting rail TS 35, slotted, size 15 mm, length 2 m, material steel. galv. zinc-plated and dichromated |
| 98.380.0000.0 | Mounting rail 35x24x15 EN60715 2000MM | Mounting rail TS 35, unslotted, size 15 mm, length 2 m, material E copper |
| Z1.108.8453.0 | Busbar support WKIF SH/E/35 | Busbar support for neutral bus bar |
| Z7.280.6227.0 | Jumper bar IVBWKf 2,5 - 2 | Cross connector, insulated for DIN rail terminal blocks type WKf..., 2 -pole |
| Z7.280.6327.0 | Jumper bar IVBWKf 2,5 - 3 | Cross connector, insulated for DIN rail terminal blocks type WKf..., 3 -pole |
| Z7.280.6427.0 | Jumper bar IVBWKf 2,5 - 4 | Cross connector, insulated for DIN rail terminal blocks type WKf..., 4 -pole |
| Z7.280.6527.0 | Jumper bar IVBWKf 2,5 - 5 | Cross connector, insulated for DIN rail terminal blocks type WKf..., 5 -pole |
| Z7.280.6627.0 | Jumper bar IVBWKf 2,5 - 6 | Cross connector, insulated for DIN rail terminal blocks type WKf..., 6 -pole |
| Z7.280.6727.0 | Jumper bar IVBWKf 2,5 - 7 | Cross connector, insulated for DIN rail terminal blocks type WKf..., 7 -pole |
| Z7.280.6827.0 | Jumper bar IVBWKf 2,5 - 8 | Cross connector, insulated for DIN rail terminal blocks type WKf..., 8 -pole |
| Z7.280.6927.0 | Jumper bar IVBWKf 2,5 - 9 | Cross connector, insulated for DIN rail terminal blocks type WKf..., 9 -pole |
| Z7.280.7027.0 | Jumper bar IVBWKf 2,5 - 10 | Cross connector, insulated for DIN rail terminal blocks type WKf..., 10 -pole |

Drawings